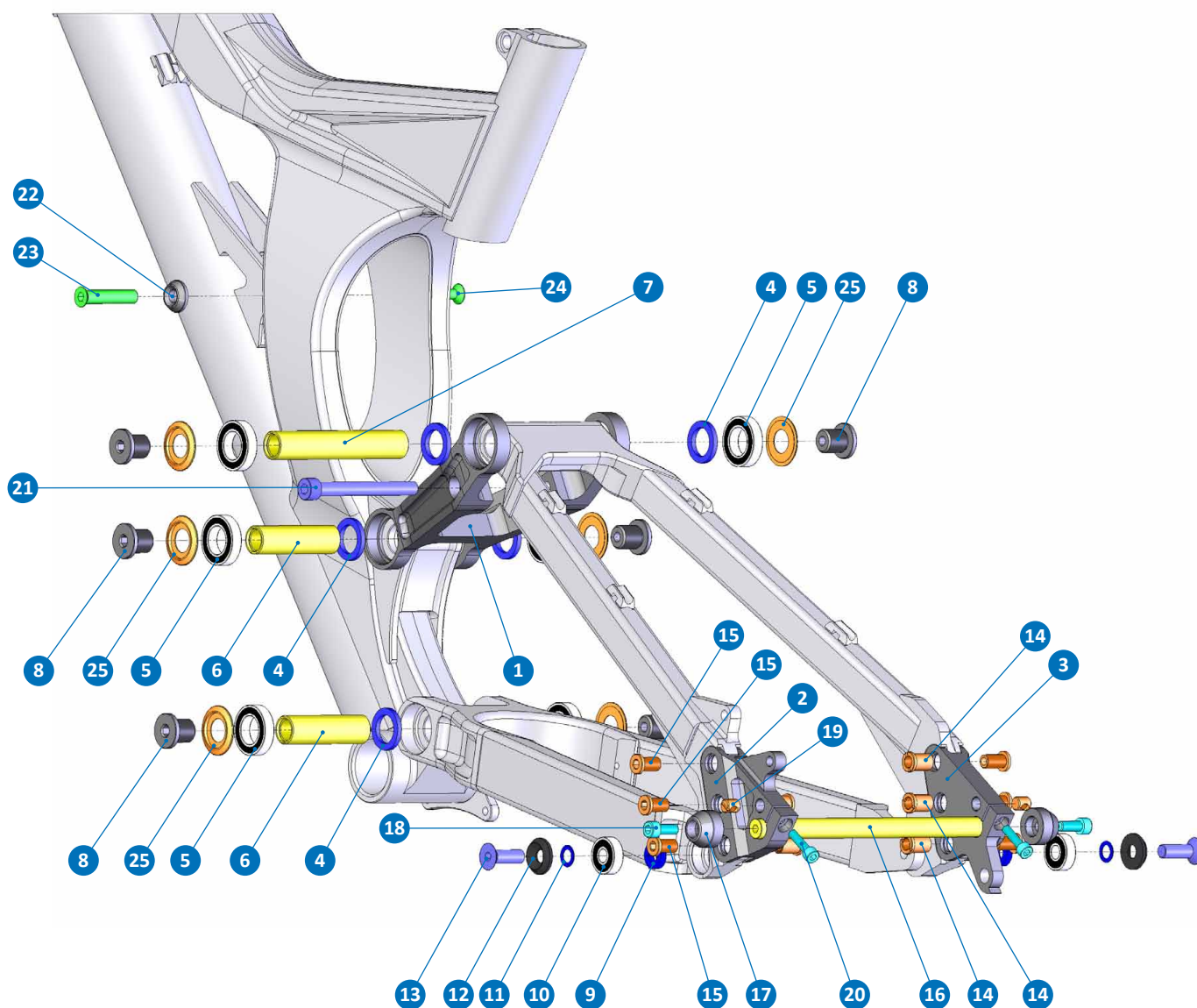


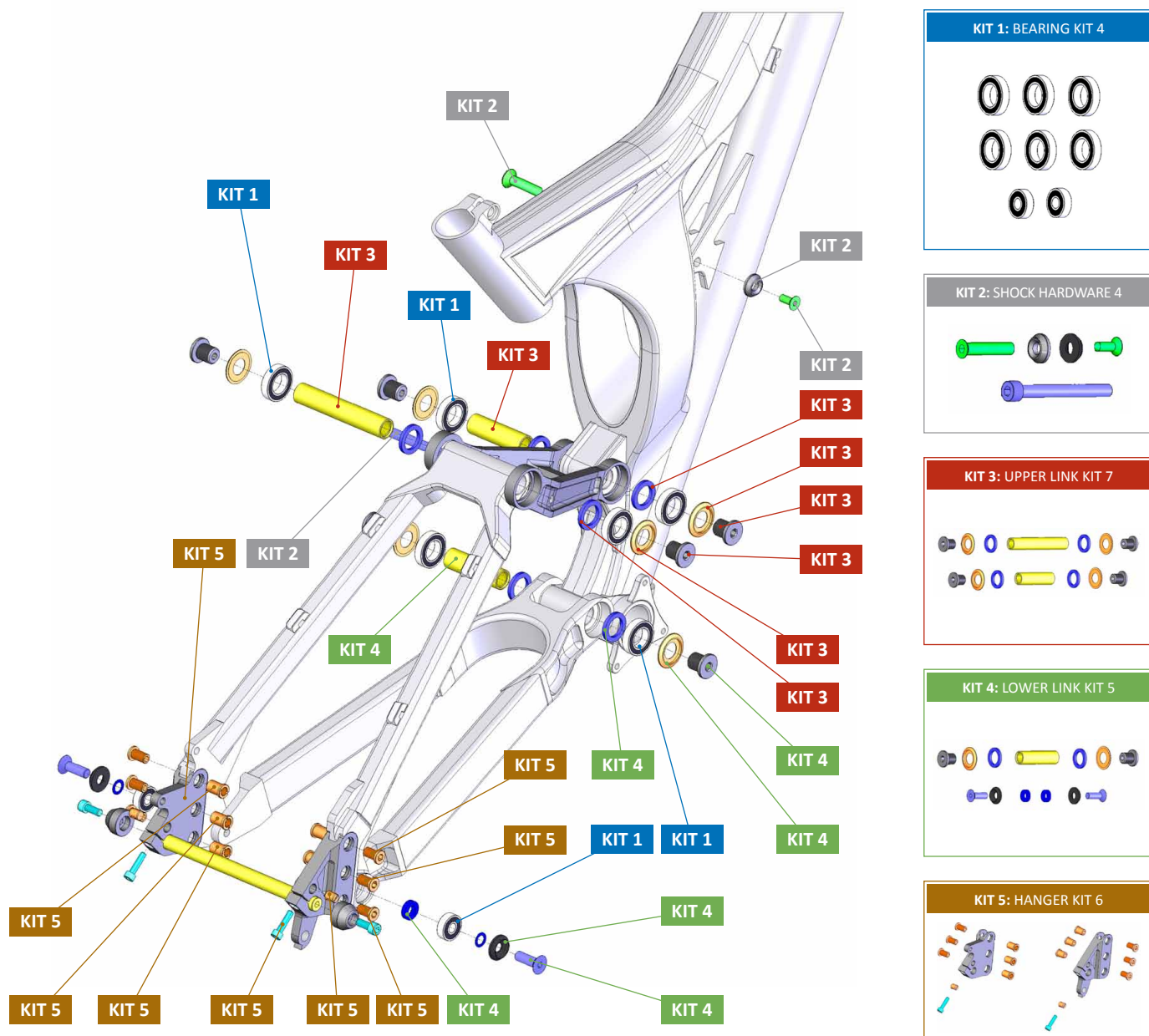
KAISER



ITEM No.	DESCRIPTION	QTY.
1	UPPER LINK	1
2	M043 HANGER(LEFT)	1
3	M043 HANGER (RIGHT)	1
4	D25xd17	6
5	6903 BEARING	6
6	D17x60L	2
7	D17X97L	1
8	M13,6x14,5L	6
9	D16x8d	2
10	608 BEARING	2
11	SW-49 WASHER, 6X13X0.5	2
12	D21,5x8d BEARING CUP	2
13	M8x25L-M SCREW	2

ITEM No.	DESCRIPTION	QTY.
14	SW-D9-15.5 HANGER BOLT	6
15	M8x14L	6
16	D10x13,5L	1
17	B335 HUB AXLE CAP	2
18	M6x15L-P SCREW BOLT	2
19	D7x4d	2
20	M5x20L-P BOLT	2
21	M8x75L-P BOLT	1
22	D19x8d	2
23	D8X38L	1
24	M6x14L	1
25	D30xd14	6

KAISER



PART NUMBER	DESCRIPTION	COMPONENTS
099.12027	KIT 1: BEARING KIT 4	6903 BEARING (x6) / 608 BEARING (x2)
099.12028	KIT 2: SHOCK HARDWARE 4	D8X38L / B327 BOLT CAP (x2) / M6x14L / M8x75L-P BOLT
099.12029	KIT 3: UPPER LINK KIT 7	M13,6x14,5L (x4) / D30xd14 (x4) / D17x60L / D25xd17 (x4) / D17X97L
099.12030	KIT 4: LOWER LINK KIT 5	M13,6x14,5L (x2) / D30xd14 (x2) / D17x60L / D25xd17 (x2) / M8x25L-M SCREW (x2) / D21,5x8d BEARING CUP (x2) / D16x8d (x2)
099.12031	KIT 5: HANGER KIT 6	M043 HANGER(LEFT) / M043 HANGER (RIGHT) / M8x14L (x6) / M6x15L-P SCREW BOLT (x2) / M5x20L-P BOLT
099.00009	RIGHT KAISER HANGER	M043 HANGER (RIGHT)