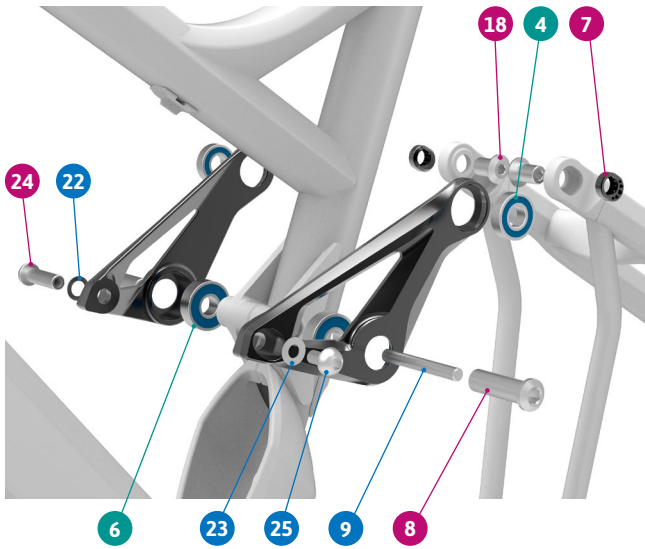


ITEM No.	DESCRIPTION	QTY.	PART NUMBER	TORQUE
1	LOWER LINK	1		
2	UPPER LINK, LEFT	1		
3	UPPER LINK, RIGHT	1		
4	BEARING 6900-2RS	4	SET 1	
5	SPACER 32mm	1	SET 4	
6	BEARING 6000-2RS	2	SET 1	
7	AXLE NUT	3	SET 3	
8	PIVOT AXLE	2	SET 3	11Nm
9	SCREW AXLE	1	SET 3	
10	PIVOT AXLE	1	SET 4	11Nm
11	BEARING 6901V-2RS	2	SET 1	
12	SPACER, 27mm	1	SET 4	
13	SPACER, 3mm	2	SET 4	

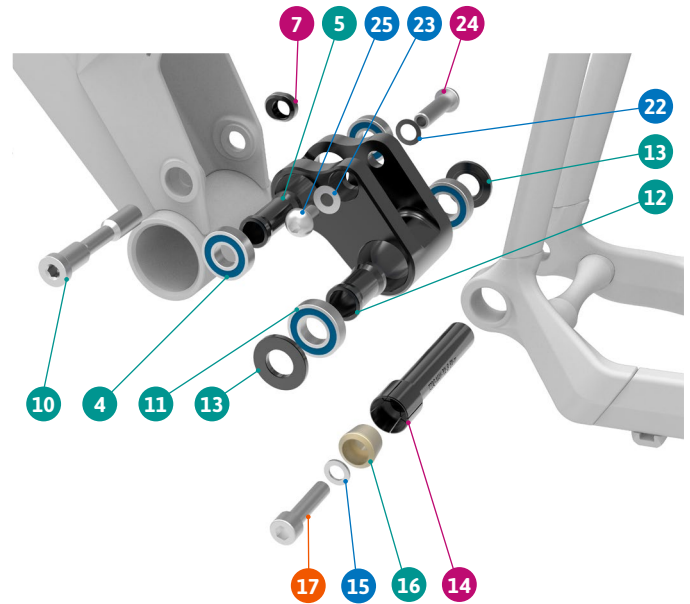
ITEM No.	DESCRIPTION	QTY.	PART NUMBER	TORQUE
14	PIVOT AXLE, 70.5mm	1	SET 4	8Nm
15	SPACER	1	SET 4	
16	TAPER NUT	1	SET 4	
17	SCREW BOLT M6X25	1	SET 4	10Nm
18	PIVOT AXLE	2	SET 3	11Nm
19	HANGER M066	1	SET 5	
20	HANGER NUT	1	SET 5	4Nm
21	SCREW BOLT	1	SET 5	3Nm
22	WASHER M8	2		
23	WASHER M6	2		
24	SLEEVE BOLT	2	SET 2	11Nm
25	SCREW BOLT M6X12	2	SET 2	
26	CABLE GUIDE	3	099.16022	3Nm

● Grease
● Sealant
● Grease + Sealant
 Apply grease to the shaft,
 and sealant to the threads

DETAIL 01



DETAIL 02



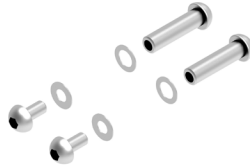
SET 1

ZERO BEARING KIT 13



SET 2

SHOCK HARDWARE ZERO 3



SET 3

UPPER LINK KIT 19



SET 4

LOWER LINK KIT 19

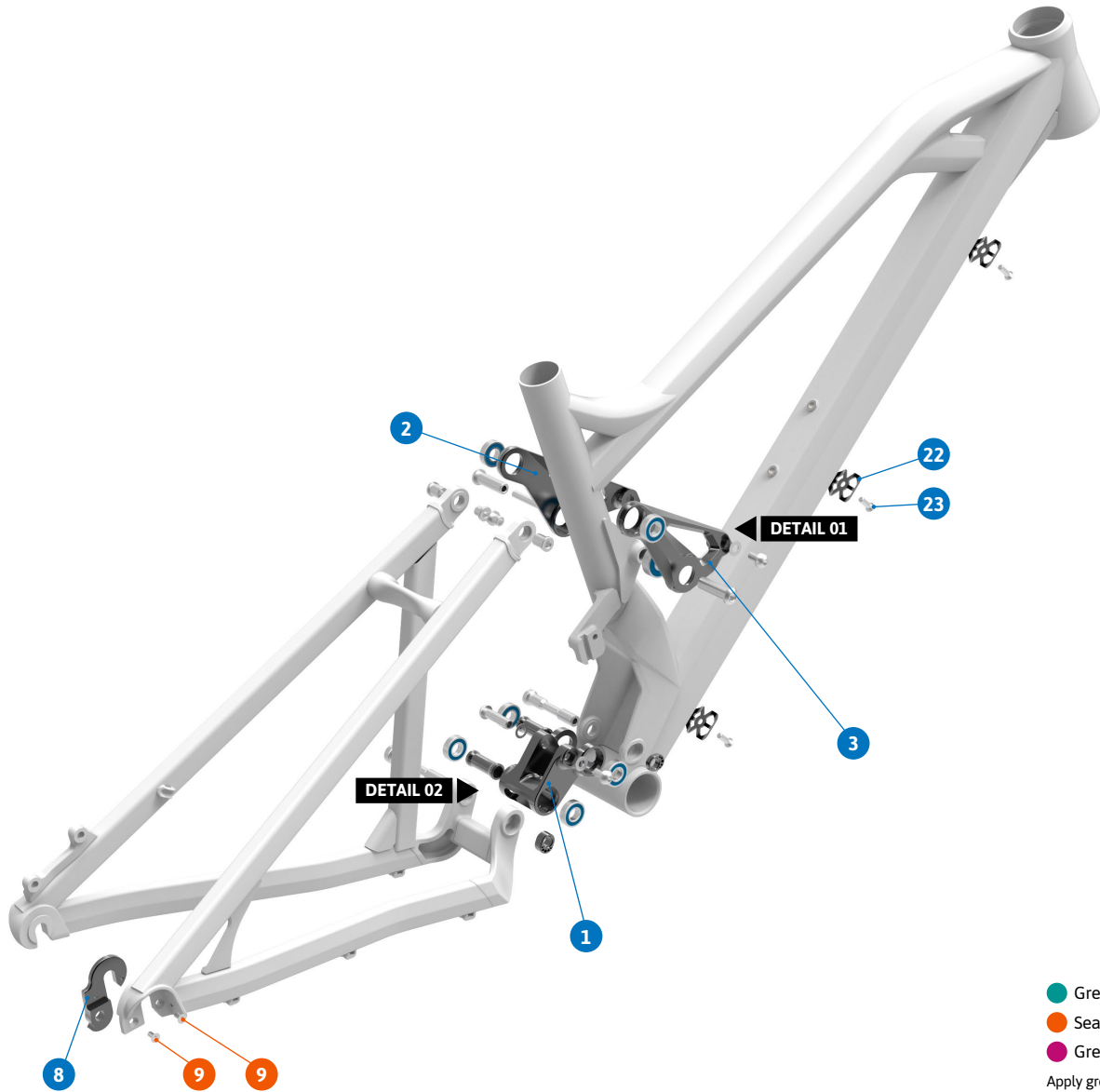


SET 5

HANGER M066



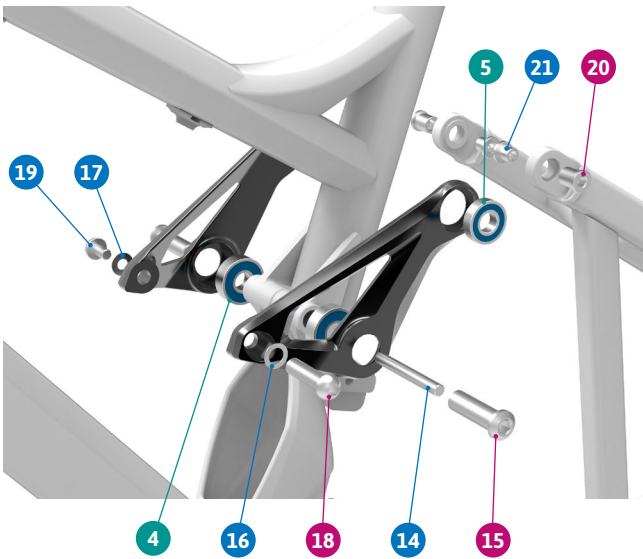
PART NUMBER	DESCRIPTION	COMPONENTS
099.17103	SET 1: ZERO BEARING KIT 13	BEARING 6900-2RS (INT. 10mm. EXT 22mm) (x4) / BEARING 6000-2RS (INT. 10mm. EXT 26mm) (x2) / BEARING 6901V-2RS (INT. 12mm. EXT 24mm)
099.12023	SET 2: SHOCK HARDWARE KIT 3	SLEEVE BOLT D8x30L (x2) / SCREW BOLT M6XL12 (x2)
099.17104	SET 3: UPPER LINK KIT 19	SCREW AXLE M6x40 (x1) / PIVOT AXLE M10x15 (x2) / AXLE NUT M10x5,75 (x3) / PIVOT AXLE M10x33 (x2)
099.17105	SET 4: LOWER LINK KIT 19	SPACER D14x32 (x1) / PIVOT AXLE M10x55 (x1) / SPACER D16xD12x27 (x1) / SPACER D23.5xD12x3mm (x2) / SPACER D10xD6X1mm (x1) / TAPER NUT 10.5mm (x1) / M6x25L-P-S SCREW BOLT (x1) / PIVOT AXLE M12X70.5mm (x1)
099.00053	SET 5: HANGER M066	HANGER M066 (x1) / HANGER NUT (x1) / SCREW BOLT (x1)



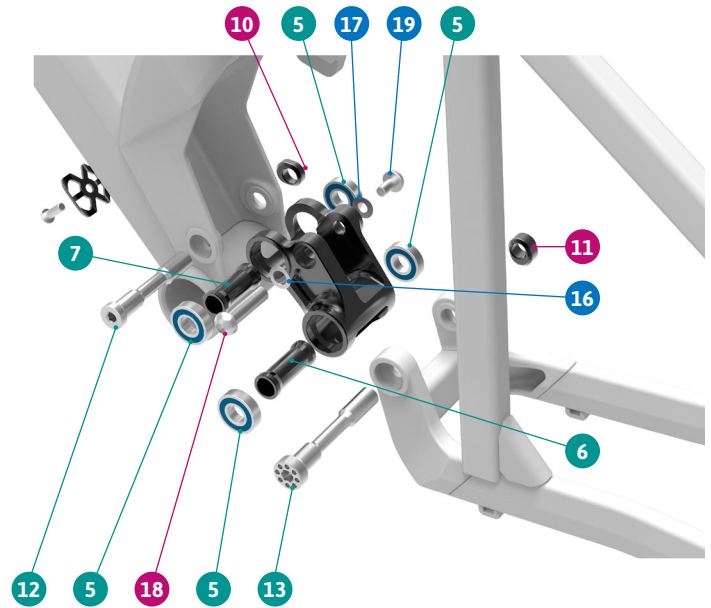
ITEM No.	DESCRIPTION	QTY.	PART NUMBER	TORQUE
1	LOWER LINK	1		
2	LINK, LEFT	1		
3	LINK, RIGHT	1		
4	BEARING, 6000-2RS	2	SET 1	
5	BEARING, 6900-RS	6	SET 1	
6	SPACER 35mm	1	SET 4	
7	SPACER 32 mm	1	SET 4	
8	HANGER M053	1	SET 5	
9	SCREW BLOT M4X8	2	SET 5	3Nm
10	AXLE NUT 5,75mm	1	SET 4	
11	AXLE NUT 8,85mm	1	SET 4	
12	PIVOT AXLE	1	SET 4	11Nm

ITEM No.	DESCRIPTION	QTY.	PART NUMBER	TORQUE
13	PIVOT AXLE	1	SET 4	11Nm
14	SCREW AXLE	1	SET 3	
15	PIVOT AXLE	2	SET 3	11Nm
16	WASHER M8	2		
17	WASHER M6	2		
18	SLEEVE BOLT	2	SET 2	11Nm
19	SCREW BOLT	2	SET 2	
20	PIVOT NUT D10	2	SET 3	11Nm
21	NUT M8X8,5	2	SET 3	
22	CABLE HOLDER	3	099.15017	
23	SCREW BOLT M5X15	3		3Nm

DETAIL 01



DETAIL 02



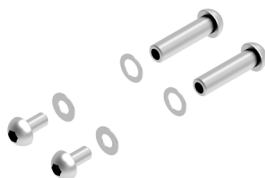
SET 1

ZERO BEARING KIT



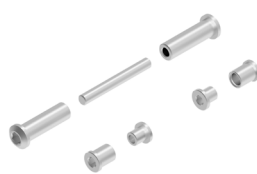
SET 2

SHOCK HARDWARE KIT 3



SET 3

UPPER LINK KIT 5



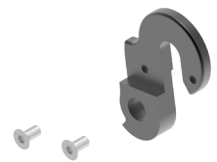
SET 4

LOWER LINK KIT 10



SET 5

HANGER M053



PART NUMBER	DESCRIPTION	COMPONENTS
099.12001	SET 1: ZERO BEARING KIT	BEARING 6000-2RS (INT. 10mm. EXT 26mm) (x2) / BEARING (INT. 10mm. EXT 22mm) (x6)
099.12023	SET 2: SHOCK HARDWARE KIT 3	SLEEVE BOLT D8x30L (x2) / SCREW BOLT M6xL12 (x2)
099.12021	SET 3: UPPER LINK KIT 5	SCREW AXLE M6x40 (x1) / PIVOT AXLE M10x33 (x2) / NUT D10xL11.5 (x2) / NUT M8x8.5 (x2)
099.13102	SET 4: LOWER LINK KIT 10	SPACER D14x35 (x1) / SPACER D14x32 (x1) / AXLE NUT M10x5,75 (x1) / AXLE NUT M10x8.85 (x1) / PIVOT AXLE M10x55 (x1) / PIVOT AXLE M10x63 (x1)
099.13109	SET 5: HANGER M053	HANGER M053 (x1) / M4x8L-M SCREW BOLT (x2)