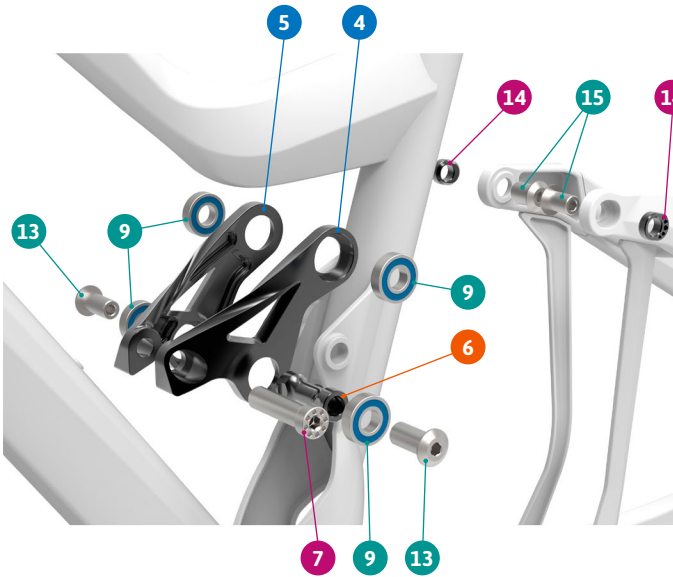


ITEM No.	DESCRIPTION	QTY.	PART NUMBER	TORQUE
1	FRON TRIANGLE	1		
2	REAR TRIANGLE	1		
3	LOWER LINK	1		
4	"UPPER LINK, LEFT"	1		
5	"UPPER LINK, RIGHT"	1		
6	SPACER	1	SET 3	
7	SLEEVE BOLT	2	SET 2	12Nm
8	HANGER	1	SET 5	
9	BEARING	8	SET 1	

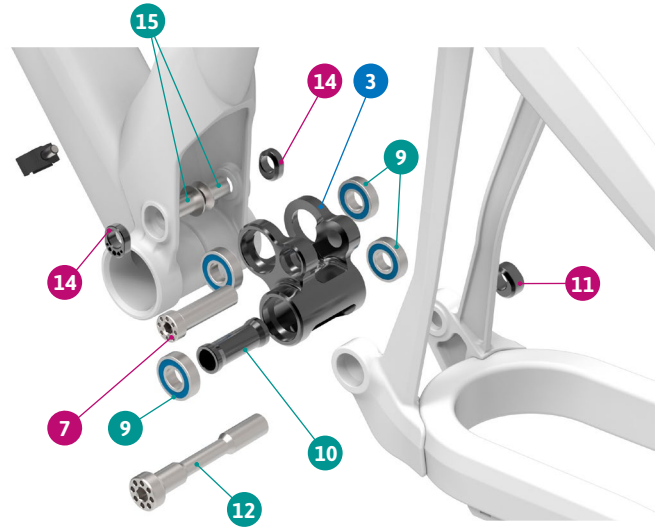
ITEM No.	DESCRIPTION	QTY.	PART NUMBER	TORQUE
10	SPACER	1	SET 4	
11	AXLE NUT	1	SET 4	
12	PIVOT AXLE	1	SET 4	11Nm
13	PIVOT AXLE	2	SET 3	12Nm
14	AXLE NUT	4	SET 3/4	
15	PIVOT AXLE	4	SET 3/4	11Nm
16	SCREW BOLT	1	SET 5	3Nm
17	CABLE GUIDE	3		3Nm

● Grease
● Sealant
● Grease + Sealant
 Apply grease to the shaft,
 and sealant to the threads

DETAIL 01

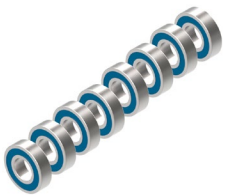


DETAIL 02



SET 1

ZERO BEARING KIT 2



SET 2

SHOCK HARDWARE ZERO 1



SET 3

UPPER LINK KIT 4



SET 4

LOWER LINK KIT 1



SET 5

HANGER M048



PART NUMBER	DESCRIPTION	COMPONENTS
099.12017	SET 1: ZERO BEARING KIT 2	BEARING 6900-RS (x8)
099.12002	SET 2: SHOCK HARDWARE KIT 1	BOLT M10x36 (x2)
099.12018	SET 3: UPPER LINK KIT 4	M10x21.5 (x2) / AXLE NUT M10x5.75 (x2) / PIVOT AXLE M10x15 (x2)
099.12006	SET 4: LOWER LINK KIT 1	PIVOT AXLE M10x63 / PIVOT AXLE M10x15 (x2) / SPACER D14x35 / AXLE NUT M10x8.85 / AXLE NUT M10x5.75 (x2)
099.00025	SET 5: HANGER M048	M048 HANGER / M5x10L-M SCREW BOLT