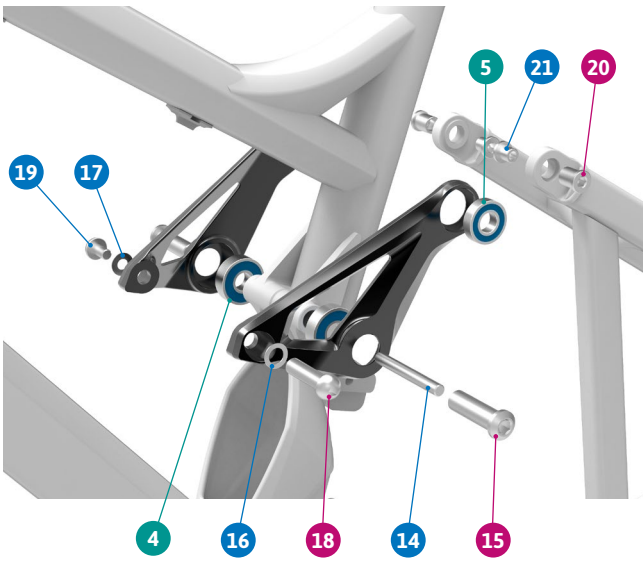


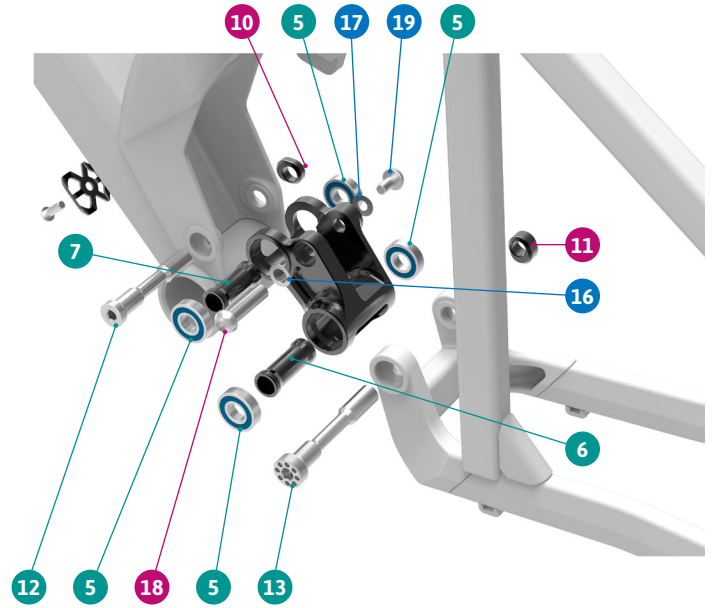
ITEM No.	DESCRIPTION	QTY.	PART NUMBER	TORQUE
1	LOWER LINK	1		
2	LINK, LEFT	1		
3	LINK, RIGHT	1		
4	BEARING, 6000-2RS	2	SET 1	
5	BEARING, 6900-RS	6	SET 1	
6	SPACER 35mm	1	SET 4	
7	SPACER 32 mm	1	SET 4	
8	HANGER M053	1	SET 5	
9	SCREW BLOT M4X8	2	SET 5	3Nm
10	AXLE NUT 5,75mm	1	SET 4	
11	AXLE NUT 8,85mm	1	SET 4	
12	PIVOT AXLE	1	SET 4	11Nm

ITEM No.	DESCRIPTION	QTY.	PART NUMBER	TORQUE
13	PIVOT AXLE	1	SET 4	11Nm
14	SCREW AXLE	1	SET 3	
15	PIVOT AXLE	2	SET 3	11Nm
16	WASHER M8	2		
17	WASHER M6	2		
18	SLEEVE BOLT	2	SET 2	11Nm
19	SCREW BOLT	2	SET 2	
20	PIVOT NUT D10	2	SET 3	11Nm
21	NUT M8X8,5	2	SET 3	
22	CABLE HOLDER	3	099.15017	
23	SCREW BOLT M5X15	3		3Nm

**DETAIL 01**



**DETAIL 02**



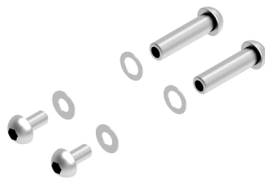
**SET 1**

ZERO BEARING KIT



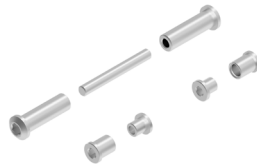
**SET 2**

SHOCK HARDWARE KIT 3



**SET 3**

UPPER LINK KIT 5



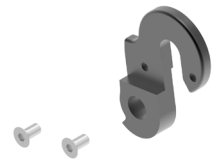
**SET 4**

LOWER LINK KIT 10



**SET 5**

HANGER M053



PART NUMBER	DESCRIPTION	COMPONENTS
099.12001	SET 1: ZERO BEARING KIT	BEARING 6000-2RS (INT. 10mm. EXT 26mm) (x2) / BEARING (INT. 10mm. EXT 22mm) (x6)
099.12023	SET 2: SHOCK HARDWARE KIT 3	SLEEVE BOLT D8x30L (x2) / SCREW BOLT M6xL12 (x2)
099.12021	SET 3: UPPER LINK KIT 5	SCREW AXLE M6x40 (x1) / PIVOT AXLE M10x33 (x2) / NUT D10xL11.5 (x2) / NUT M8x8.5 (x2)
099.13102	SET 4: LOWER LINK KIT 10	SPACER D14x35 (x1) / SPACER D14x32 (x1) / AXLE NUT M10x5,75 (x1) / AXLE NUT M10x8.85 (x1) / PIVOT AXLE M10x55 (x1) / PIVOT AXLE M10x63 (x1)
099.13109	SET 5: HANGER M053	HANGER M053 (x1) / M4x8L-M SCREW BOLT (x2)